



DATA SHEET

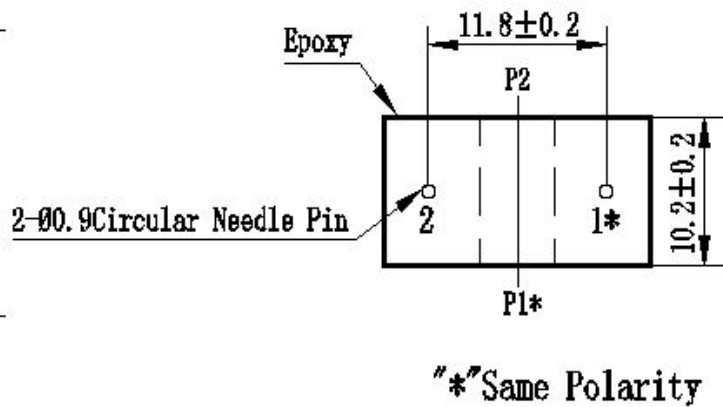
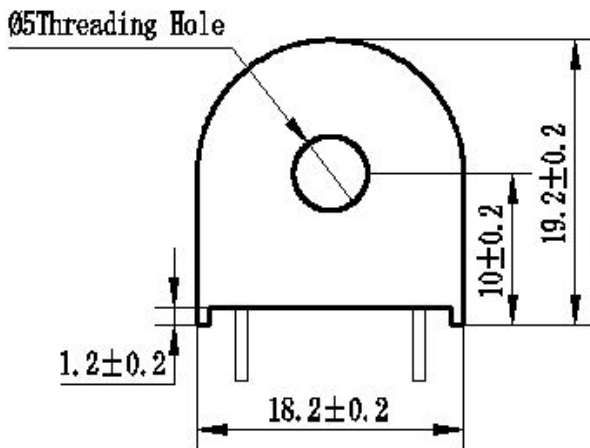
Ultra-micro Current Transformer

PN: CMCT103C

IPN=5A

Feature & Applications

- Small size
- High accuracy
- Good consistency.
- Used for current and power measurement



Structural Parameter :

Remarks: Primary input: straight- through type(make the measured circuit be through the hole)
1 & 2pin :secondary output.

Front view

Bottom view

The Main Technical Parameters :

Model	CMCT103C
Rated input current	5A
Rated output current	5mA
Turns ratio	1000:1
Phase angle error	$\leq 15'$ (input 5A, sampling resistor 50Ω)
Linear range	0~10A (sampling resistor 50Ω)
Linearity	$\leq 0.2\%$ (5% dot ~ 120% dot)



Permissible error	-0.2%≤ f ≤+0.2% (input 5A, sampling resistor 50Ω)
Application	Precise measurement of current and power
Isolation voltage	4500V
Encapsulation	Epoxy
Installation	PCB mounting (Pin length>3mm)
Operating temperature	-40°C~+85°C

Direction For Use:

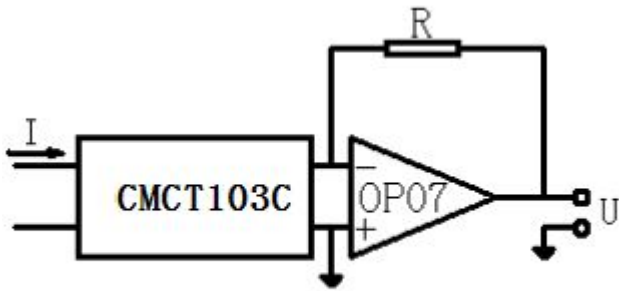
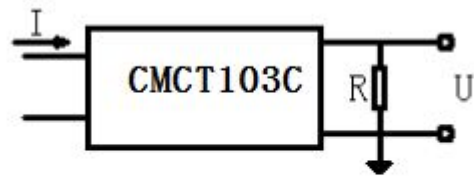


Figure I



$$U = \frac{I}{1000} \cdot R$$

I: input current
R: sampling resistor
U: sampling voltage

Figure II

1. The typical usage of the product is for the active output (Figure I). R is a sampling resistor
2. The product can be directly through the resistance sampling, easy to use (Figure II).

